

# Portable Curling Hack



### Materials Required:

1. Rubber Mat - 18" x 24" x 3/4" thick  
(This is a rubber horse stall mat)
2. Wood or Plastic Spacer - 3/4" x 3 1/2" x 18" long
3. Soft Shipping Foam - 18" x 24" x 1/4" thick  
(1/8" thick material will also work)
4. Four (4) 1 3/4" long carriage bolts and flange nuts - 1/4" or 5/16"
5. Two (2) Curling Hacks - new or used
6. Four (4) Pan Head Screws - To mount hacks
7. Spray Adhesive
8. 3/8" long (or longer) Staples

### Construction

1. Cut the 3/4" thick Rubber Mat to size. A 36" x 48" horse stall mat makes 4 pieces. See Fig. 1.
2. Cut the wood or plastic Spacer to length. Round all the edges.
3. Mark the position of the holes on the Spacer. See Fig. 2.
4. Place the Spacer on top of the Rubber Mat as shown in Fig. 3. Use a hack to help position the spacer. Clamp the Spacer in place.
5. Drill the appropriate sized holes through the Spacer and the Mat.

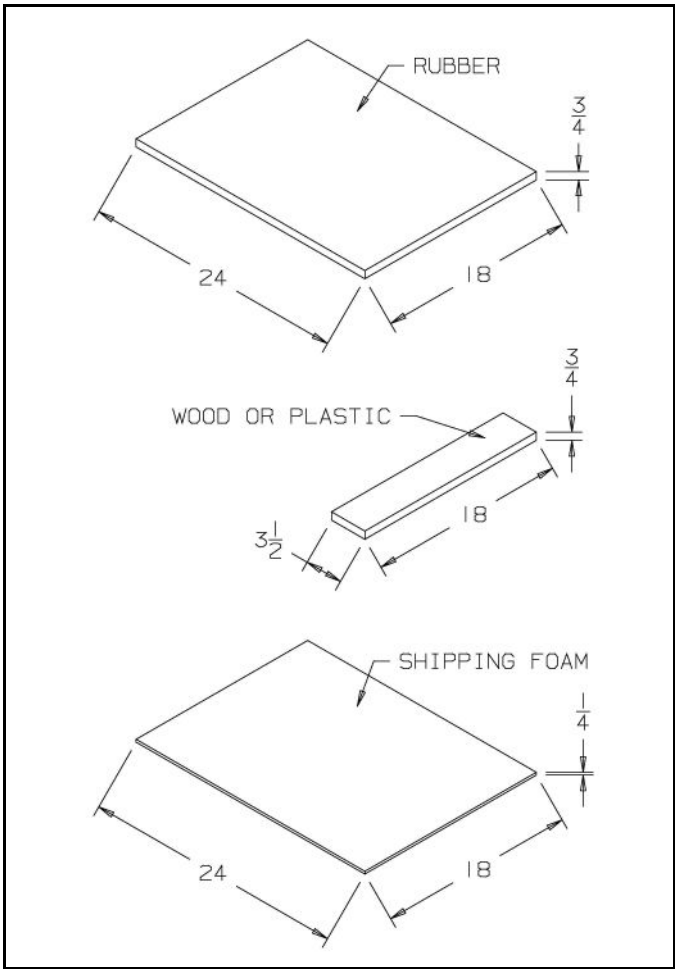


FIG. 1-1. Materials Required

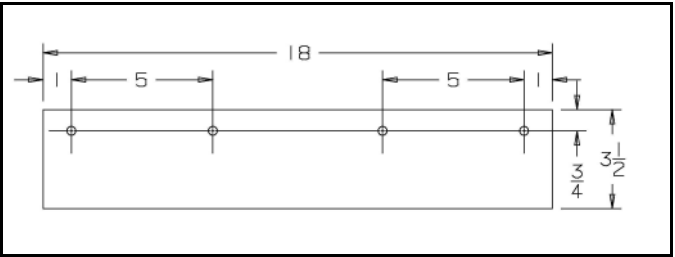


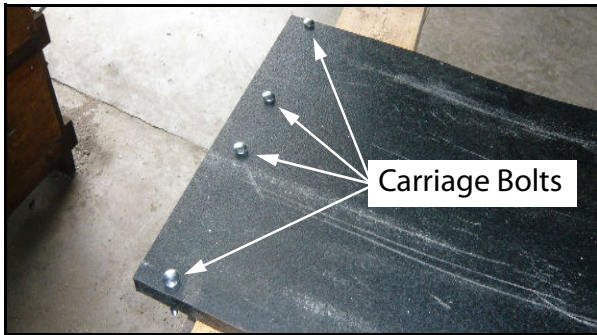
FIG. 1-2. Marking Holes



FIG. 1-3. Drilling the Holes

## Portable Curling Hack Assembly

- Remove the clamp and flip the Rubber Mat over. Install the carriage bolts into the Mat as shown in Fig. 4.



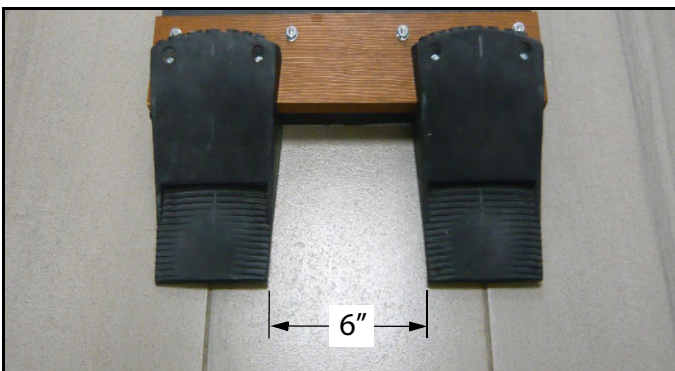
**FIG. 1-4. Installing the Bolts**

- Flip the Mat over again and install the Spacer as shown in See Fig. 5. Tighten the nuts enough to slightly squeeze the rubber under the head of the bolts.



**FIG. 1-5. Installing the Spacer**

- Install the hacks onto the Spacer using the pan head screws. Make sure there is a 6" space between the hacks. See Fig. 6.



**FIG. 1-6. Installing the Hacks**

- Flip the assembly over and thoroughly clean the underside of the Rubber Mat. **The Mat must be clean and dry before applying the adhesive.**

- Coat the underside of the mat with adhesive. See Fig. 7. Follow the instructions on the can.



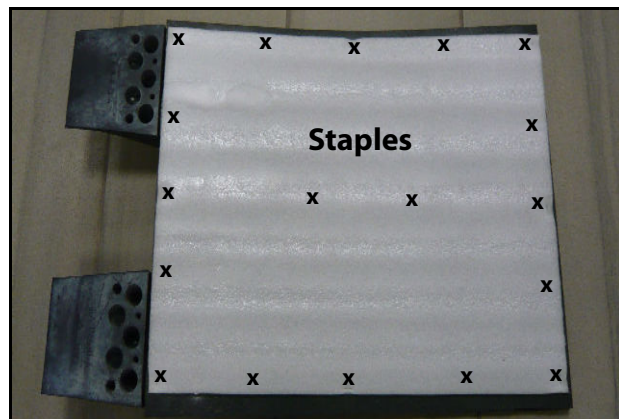
**FIG. 1-7. Applying the Adhesive**

- Place the Soft Shipping Foam onto the underside of the Mat. Use a small roller to remove any air bubbles. See Fig. 8.



**FIG. 1-8. Rolling the Foam**

- Using a staple gun, staple the foam to the mat at the corners, around the outside and in the middle. This will make sure the foam stays attached to the mat.



**FIG. 1-9. Stapling the Foam to the Mat**